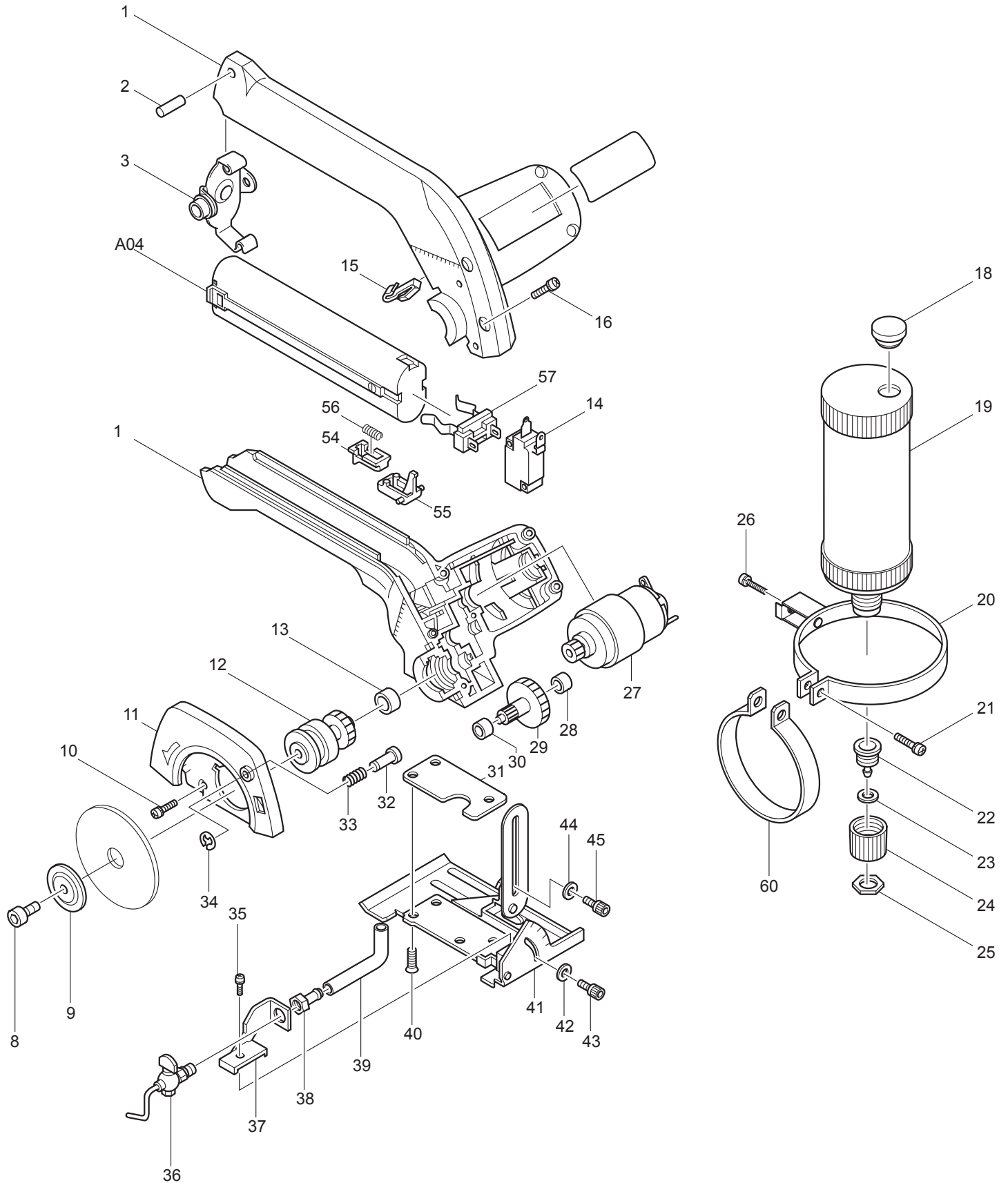




03 - 2010
4190D / 4190DW
3-3/8" 9.6V GLASS & TILE CUTTER



Item No	Type	Ref	Part No	Description	Qty	Unit
1	1		182025-7	* HOUSING SET - N/L/A	1	SET
		INC.		Item No. 2,3		
	2		183934-3	* HOUSING SET	1	SET
		INC.		Item No. 2,3		
2			256085-6	PIN 4	1	PC.
3	1		163157-9	* SET PLATE - N/L/A	1	PC.
	2		342833-0	* SET PLATE	1	PC.
8			922212-4	HEX. SOCKET HEAD BOLT M5X12	1	PC.
9			224177-9	OUTER FLANGE 28	1	PC.
10			911121-2	PAN HEAD SCREW M4X14	3	PC.
11	1		164872-8	BLADE CASE	1	PC.
	2		165712-3	BLADE CASE	1	PC.
12			153132-3	GEAR COMPLETE	1	PC.
		INC.	321289-0	SPINDLE	1	PC.
		INC.	211062-5	BALL BEARING 6000ZZ	1	PC.
		INC.	221868-3	GEAR	1	PC.
		INC.	961006-2	RETAINING RING S-10	1	PC.
13			214017-9	PLANE BEARING 5	1	PC.
14	1		651899-2	SWITCH V-5130E-114	1	PC.
	2		651866-7	SWITCH V-5130E-092 - N/L/A	1	PC.
	3		651944-3	SWITCH DMC-1115-13	1	PC.
15			232061-4	LEAF SPRING	1	PC.
16			911148-2	PAN HEAD SCREW M4X25	5	PC.
18			421198-4	CAP	1	PC.
19			134152-6	TANK ASS'Y	1	PC.
		INC.	242030-7	TANK	1	PC.
		INC.		Item No. 18,20,21,26,60		
20	1		163159-5A	TANK HOLDER	1	PC.
	2		163159-5	TANK HOLDER	1	PC.
21			911146-6	PAN HEAD SCREW M4X25	1	PC.
22			321512-3	METALLIC CAP	1	PC.
23			261056-0	RUBBER WASHER 12	1	PC.
24			411988-3	CAP	1	PC.
25			252064-2	HEX. NUT M12-14	1	PC.
26			911146-6	PAN HEAD SCREW M4X25	1	PC.
27			629574-8	DC MOTOR 9.6V	1	PC.
		INC.	221867-5	SPUR GEAR 17	1	PC.
28			214019-5	PLANE BEARING 4	1	PC.
29	1		226053-3A	GEAR COMPLETE 11-67 - N/L/A	1	PC.
	2		226053-3	GEAR COMPLETE 11-67	1	PC.
30			214019-5	PLANE BEARING 4	1	PC.
31			423070-6	PACKING	1	PC.
32			256625-0	PIN 5	1	PC.
33			231098-8	COMPRESSION SPRING 6	1	PC.
34			961011-9	STOP RING E-4	1	PC.
35			911101-8	PAN HEAD SCREW M4X6	1	PC.
36			168191-4	COCK	1	PC.
37			343517-3	COCK HOLDER	1	PC.
38			323601-0	NUT	1	PC.
39			412079-3	VINYL TUBE 5	1	PC.
40			912222-9	COUNTERSUNK HEAD SCREW M5X16	3	PC.
41			163345-8	BASE	1	PC.
42			253184-5	FLAT WASHER 5	1	PC.

Item No	Type	Ref	Part No	Description	Qty	Unit
43			922206-9	HEX. SOCKET HEAD BOLT M5X10	1	PC.
44			253184-5	FLAT WASHER 5	1	PC.
45			922206-9	HEX. SOCKET HEAD BOLT M5X10	1	PC.
54			414169-8	LOCK-OFF LEVER	1	PC.
55			414168-0	SWITCH LEVER	1	PC.
56			231390-2	COMPRESSION SPRING 3	1	PC.
57			643909-9	BATTERY HOLDER	1	PC.
60			343530-1	BAND B	1	PC.
61			931102-0	HEX NUT M4 (F/HOUSING)	5	PC.
100			655000-B	CIGARETTE LIGHTER PLUG (OLD)	1	PC.

ACCESSORIES

- See catalogue or visit www.makita.ca for other optional accessories -

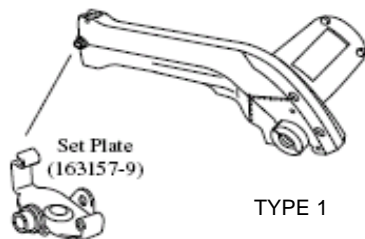
A01			783202-0	HEX. WRENCH 4	1	PC.
A02			724950-8C	3-3/8" DIAMOND WHEEL	1	PC.
A03			414938-7	BATTERY COVER	1	PC.
A04			632007-4	9.6V NI-CAD BATTERY 9000	1	PC.
			192533-0	9.6V NI-CAD BATTERY 9002	1	PC.
A05	1		DC9710	CHARGER DC9710 - N/L/A	1	PC.
	2		DC1414	CHARGER DC1414(7.2-14.4V/1.3-3.0AH)	1	PC.
	3		DC1804	CHARGER DC1804 (7.2V -18V/1.3 - 3.0AH)	1	PC.
A06			122387-1	WATER SUPPLY KIT	1	PC.
		INC.		Item No. 18-26, 35-39, 60		
A07			823033-3C	BATTERY HOLSTER	1	PC.
A08			792623-5	3-3/8" C.T.SAWBLADE(E/F)	1	PC.
A09			423075-6	RUBBER PLATE	1	PC.
A10			A82445-2	PLASTIC CARRYING CASE	1	PC.

SERVICE CHANGES

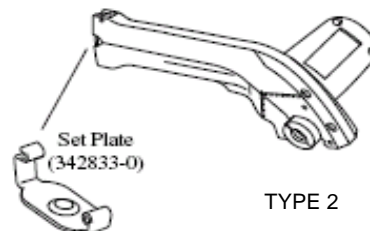
1. Changes on Housing Complete and Set Plate

Item No.	Description	Type 1	Type 2
1	Housing Com	182025-7	183934-3
3	Set Plate	163157-9	342833-0

Above parts are completely interchangeable as a set.



TYPE 1



TYPE 2